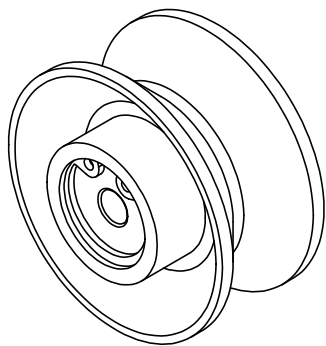
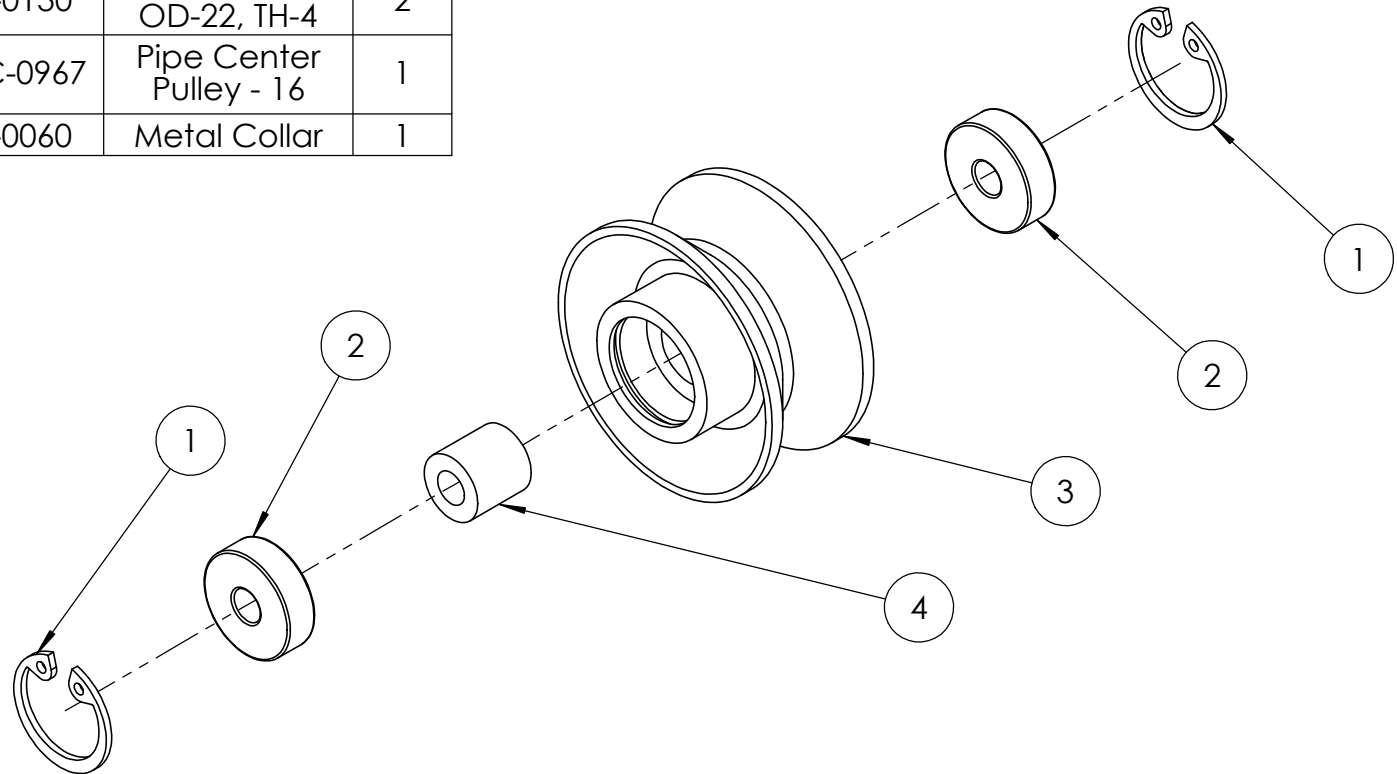


REVISIONS				
ZONE	REV.	DESCRIPTION	DATE	APPROVED

ITEM NO.	PartNo	DIS PART NUMBER	DESCRIPTION	QTY.
1	98455A116	M1-AC-0370	Internal Retaining Ring	2
2	B625DDU	M1-BE-0130	BEARING: ID-5, OD-22, TH-4	2
3	FPD-1360-16	M1-MC-0967	Pipe Center Pulley - 16	1
4	KNCLSS5-10-10	M1-SP-0060	Metal Collar	1



DIMENSIONS ARE IN MILLIMETERS [INCHES] Tolerances: X.X ±0.05 [±0.02] X.XX ±0.02 [±0.01] X.XXX ±0.01 [±0.005] <math>\angle \pm .5^\circ</math> UNLESS OTHERWISE SPECIFIED	<b>PROPRIETARY AND CONFIDENTIAL</b>		TITLE:	
	THE INFORMATION CONTAINED IN THIS DRAWING IS THE SOLE PROPERTY OF DRIP IRRIGATION SYSTEMS (DIS). ANY REPRODUCTION IN PART OR AS A WHOLE WITHOUT THE WRITTEN PERMISSION OF DIS IS PROHIBITED.		Pipe Center Pulley Unit	
MATERIAL	DRAWN	NAME	DATE	SIZE
FINISH	CHECKED	ST	2/14/2013	DWG. NO.
DO NOT SCALE DRAWING				---
				REV
				C
				SCALE: 1:1
				SHEET 1 OF 2

5

4

3

2

1