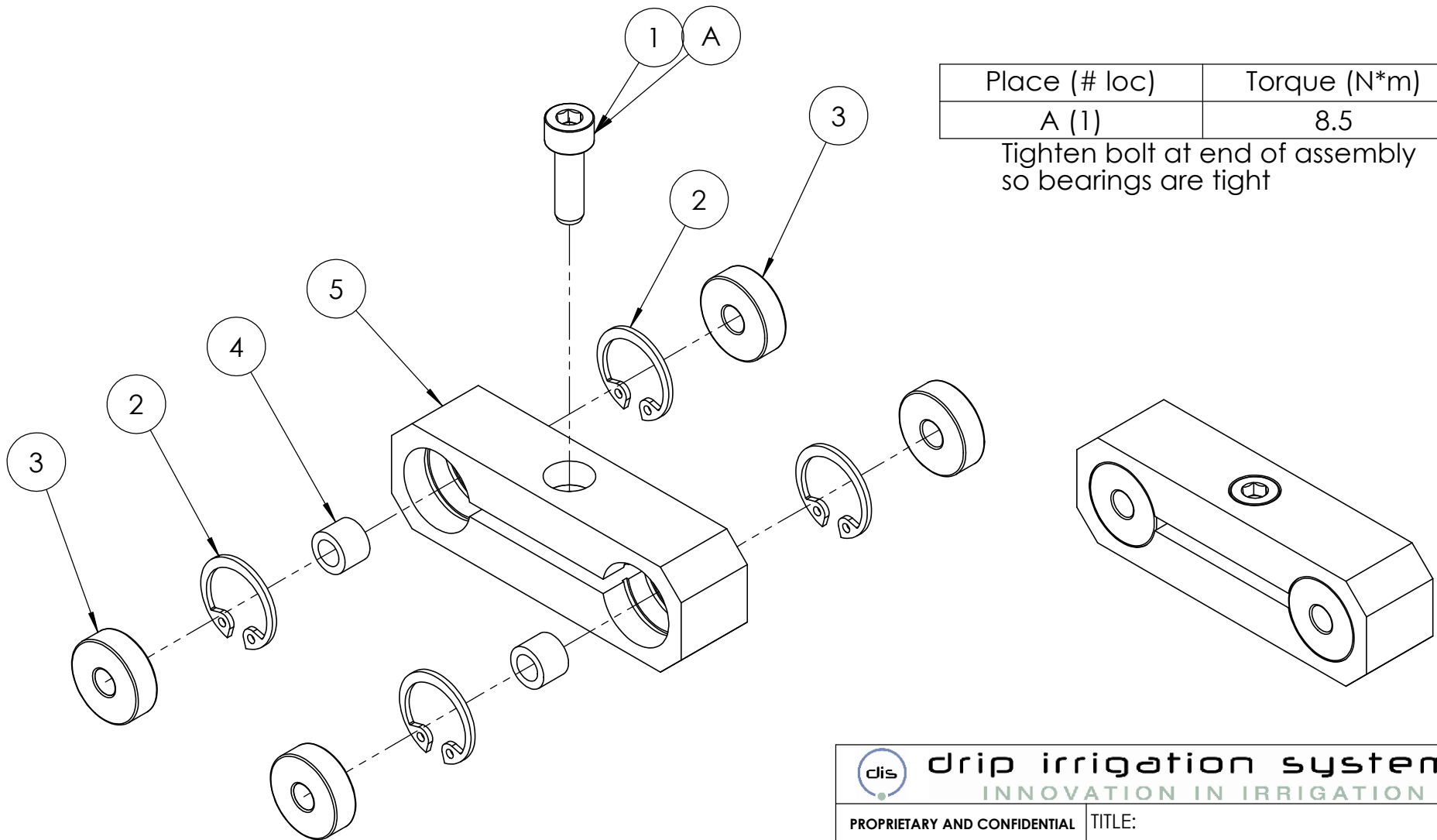


REVISIONS				
ZONE	REV.	DESCRIPTION	DATE	APPROVED



Place (# loc)	Torque (N*m)
A (1)	8.5

Tighten bolt at end of assembly so bearings are tight

dis drip irrigation systems
INNOVATION IN IRRIGATION

PROPRIETARY AND CONFIDENTIAL

THE INFORMATION CONTAINED IN THIS DRAWING IS THE SOLE PROPERTY OF DRIP IRRIGATION SYSTEMS (DIS). ANY REPRODUCTION IN PART OR AS A WHOLE WITHOUT THE WRITTEN PERMISSION OF DIS IS PROHIBITED.

TITLE:
Swinging Arm Long Unit

SIZE A	DWG. NO. ---	REV C
------------------	-----------------	-----------------

DO NOT SCALE DRAWING

SCALE: 1:1

SHEET 1 OF 2